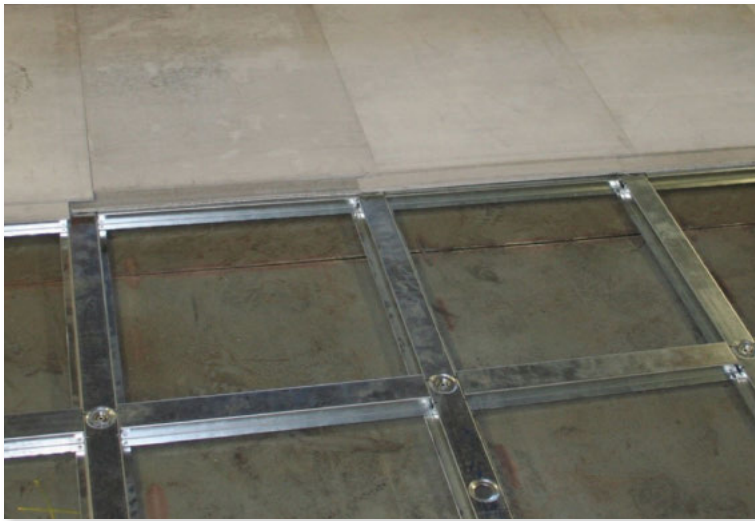




Promat® SYNTHESIS FLOOR



Product description









Promat® SYNTHESIS FLOOR is an acoustic insulated floor for passive fire protection. The system comprises of a steel or aluminium frame, named CK-Floor®, supported by adjustable and decoupled steel feet, on which Promat® SYSTEMFLOOR-T, PROMARINE®-640T or PROMARINE®-PX1 panels can be installed.

Promat® SYNTHESIS FLOOR structure is acoustically dampened and decoupled with PROMADAMP®-CLSK and PROMASOUND®-TL.

The system is MED certified when a steel frame and Promat® SYSTEMFLOOR-T are used.

The acoustic performance has been tested in accordance with ISO 10140-2 and evaluated R_w as per ISO 717-1.

I. Underlying structure CK-Floor®

Technical data			
Generic description		CK-Floor® is a modular floating structure in stainless steel or aluminium	
Colour		Steel or aluminium grey	
Dimensions (standard)		Thickness steel 1.5 mm	Thickness aluminium 2.5 mm
1. Longitudinal profile			Weight steel 3.8 kg
			Weight aluminium 2.2 kg
2. Transversal bar			Weight steel 0.9 kg
			Weight aluminium 0.5 kg
3. Adjustable foot	(steel version) 		Weight 0.24 kg
	(rubber spring version) 		Weight 0.23 kg



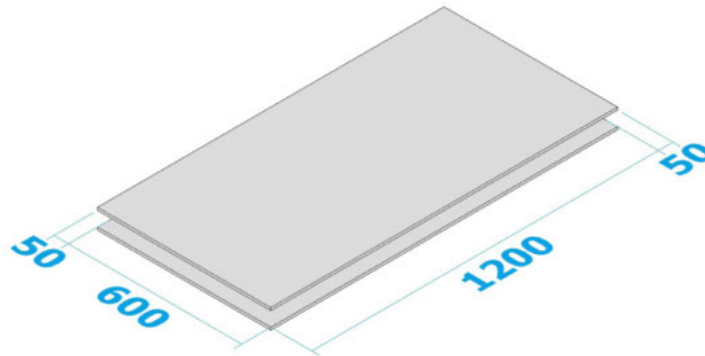


Promat[®] SYNTHESIS FLOOR

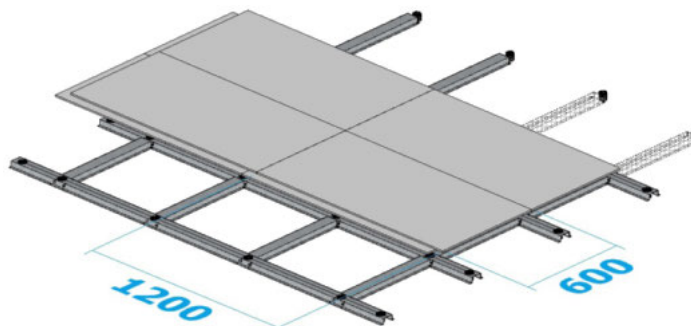
II. Panel Promat[®] SYSTEMFLOOR-T

Technical data			
Generic description	Promat [®] SYSTEMFLOOR-T is a non-combustible panel obtained gluing two plaster boards		
Colour	Whitish		
Nominal density (tolerance) (EN 12467)	kg/m ³	1100 (±15%)	
Reaction to fire (Promat [®] SYSTEMFLOOR-T panel)	Non-combustible (certificate number on request)		
Resistance to fire (Promat [®] SYNTHESIS FLOOR assembly)	A30 (certificate number on request)		
Bending strength	Longitudinal	N/mm ²	6.2
	Transversal	N/mm ²	4.5
Alkalinity	pH	9	
Organic content	%	16.14	
Expansion in water saturation	mm/m	≤ 1.0	
Acoustic properties			
		Promat [®] SYSTEMFLOOR-T panel	Promat [®] SYNTHESIS FLOOR assembly
Thickness	mm	18.5	54
R _w index (ISO 717/1)	dB	36	43
Dimensions (standard)			
Thickness (tolerance)	mm	18.5 (±15%)	
Overall length (tolerance)	mm	1250 (±5)	
Overall width (tolerance)	mm	650 (±3)	
Overlap tolerance	mm	0.5	

NOTE: the installed dimension is 1200x600



III. Promat[®] SYNTHESIS FLOOR assembly: CK-Floor[®] + panel Promat[®] SYSTEMFLOOR-T





Promat® SYNTHESIS FLOOR

Installation

The installation of Promat® SYNTHESIS FLOOR must be done according to the following steps:

1. Lay CK-Floor® using longitudinal profiles (already equipped with adjustable feet) and transversal bars to create a modular structure with 600x600 [mm] centers;
2. Levelling of the structure;
3. Gluing of the feet to the deck;
4. Lay of the Promat® SYSTEMFLOOR-T panels
5. Gluing and screwing of the panels to the structure

Always refer to "Promat® SYNTHESIS FLOOR installation instructions" document where all the operations are detailed.

Notes: When A30 certificate is not required, PROMADAMP®-CLSK and PROMASOUND®-TL strips can be used to improve the acoustic performances of the CK-Floor® structure.

Workability

Promat® SYSTEMFLOOR-T, PROMARINE®-640 T and PROMARINE®-PX1 can be cut using normal woodworking tools or by using circular blades. It can be installed and adapted to specific tailor-made shapes to meet specific customer's requirements.

If a specific project has been developed by Promat technical office, cutting operations shouldn't be necessary on CK-Floor® grid, nevertheless, aluminium or steel specific cutting tools must be used.

During cutting operations use personal protective equipment (see below).

Handling

Always use appropriate personal protective equipment (PPE) during cutting, working and installation activities independently from the chosen panel.

Refer to specific technical data sheet for further information. After use, thoroughly wash hands and any other parts that could have been in contact with the material.

Waste disposal

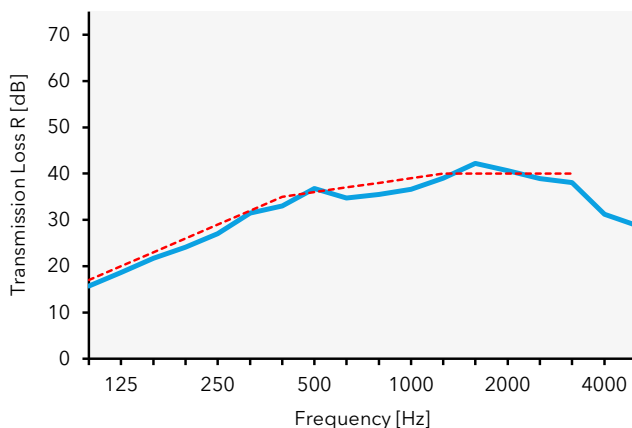
Refer to local legislation. If not available: The product is not classified as a dangerous substance and so no special provisions are required regarding the carriage and disposal of the product to landfill.

Storage

Store on a flat surface, in a dry area.

Acoustic properties

Promat® SYSTEMFLOOR-T 18.5mm, $R_w=36\text{dB}$



6mm steel deck + Promat® SYSTEMFLOOR-T, $R_w=43\text{dB}$

